

Description : HALF MOON INOX - W / RGBW / DW

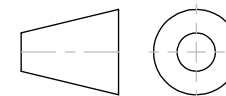
Code : AL5324

Scale : 1:1

SHEET 1 OF 1

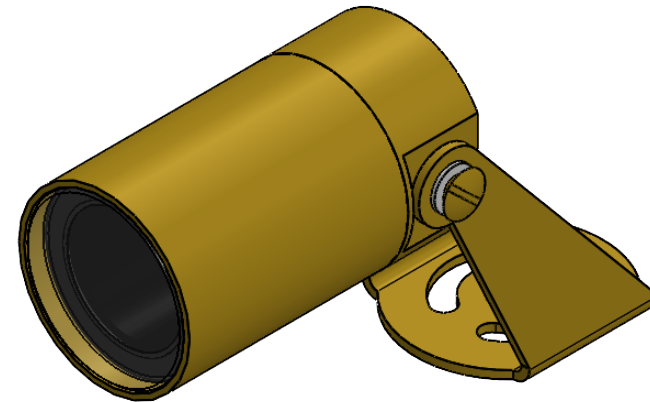
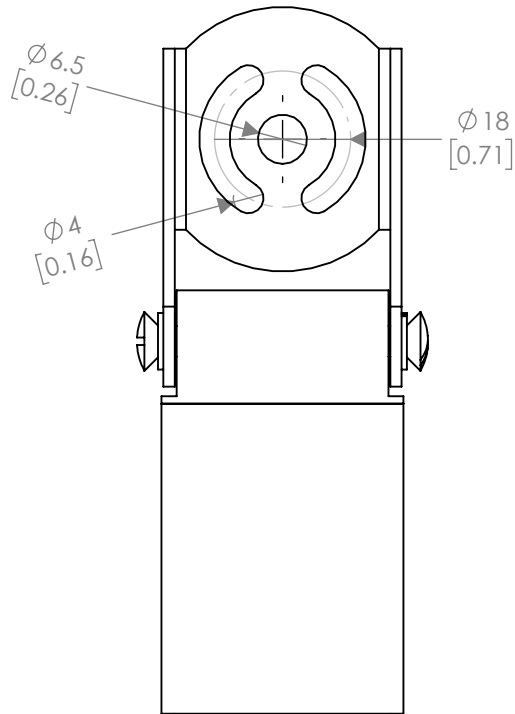
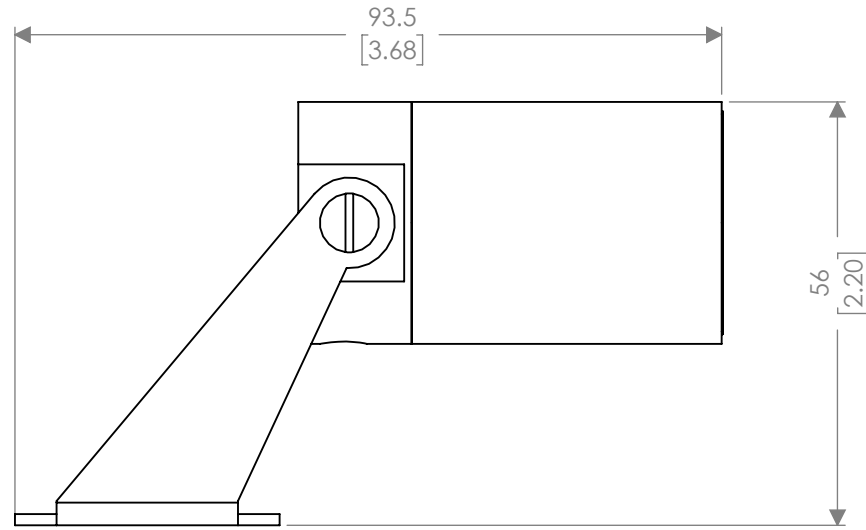
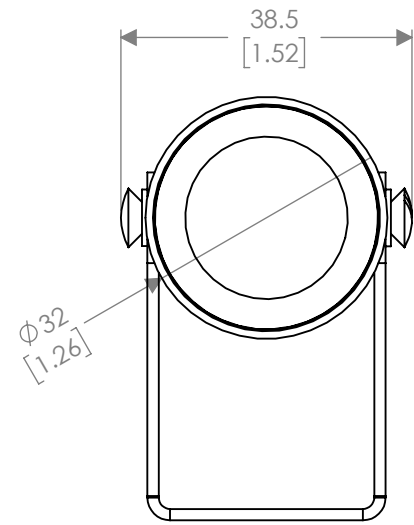
Revision : 06

DIMENSIONS ARE IN MILLIMETERS [BRACKETED DIMENSIONS ARE IN INCHES]



GRIVEN 

<http://www.griven.com>



Description : HALF MOON BRASS - W / RGBW / DW

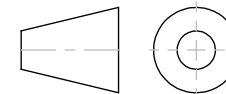
Code : AL5326

Scale : 1:1

SHEET 1 OF 1

Revision : 03

DIMENSIONS ARE IN MILLIMETERS [BRACKETED DIMENSIONS ARE IN INCHES]



GRIVEN 

<http://www.griven.com>